



# American Earth Anchors

The best screw you will have in the dirt™

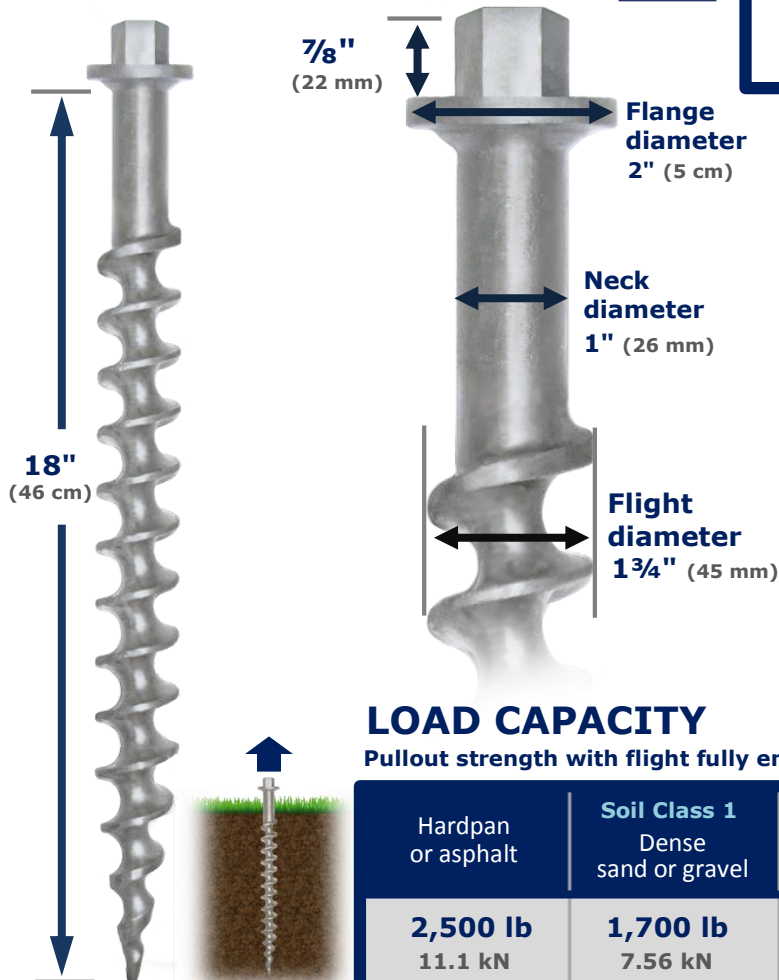
QUICK REFERENCE

## PE18 | Specifications

### 18" Penetrator™ with hex head

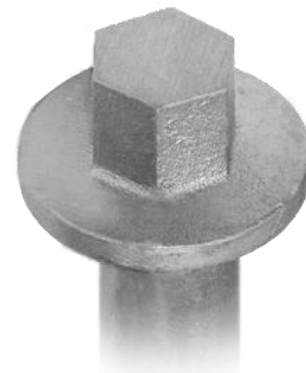
- Aircraft-quality cast aluminum 356 alloy
- Heat-treated to T6 specification
- Install with 1" or 26 mm socket
- Removable
- National Stock Number (NSN) 4030-01-528-5749

1.5 lb  
(.7 kg)

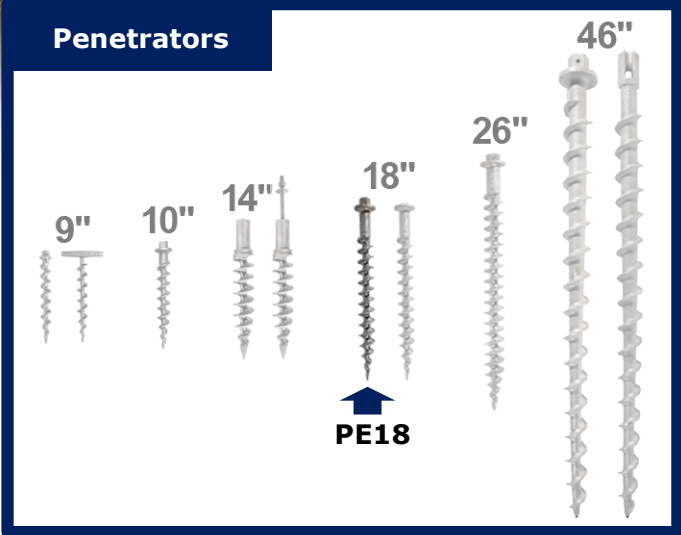


### Socket size

1" (26 mm)



6-point socket (instead of 12-point socket) will minimize wear and rounding of hex head for repeated installation/removal



### LOAD CAPACITY

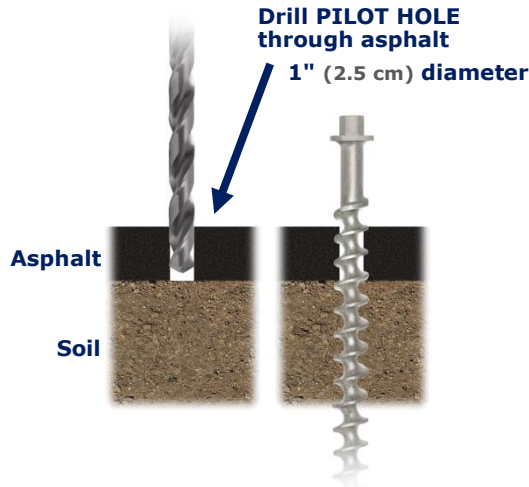
Pullout strength with flight fully embedded

	Soil Class 1 Dense sand or gravel	Soil Class 2 Medium sandy gravel	Soil Class 3 Loose medium-to-fine sand	Soil Class 4 Loose fine un-compacted sand
	<b>2,500 lb</b> 11.1 kN	<b>600 lb</b> 2.67 kN	<b>350 lb</b> 1.56 kN	<b>200 lb</b> 0.89 kN
	<b>1,700 lb</b> 7.56 kN			

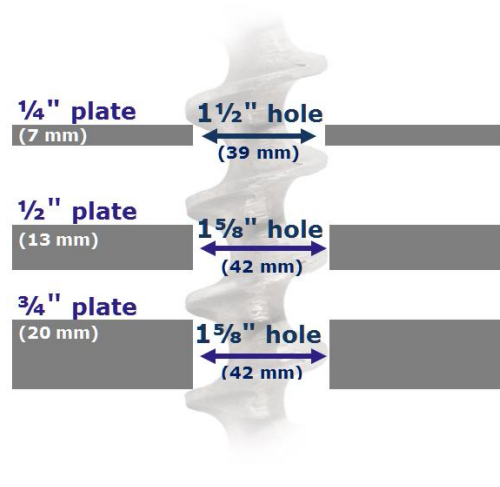


**PE18 | Installation**

**Through asphalt**



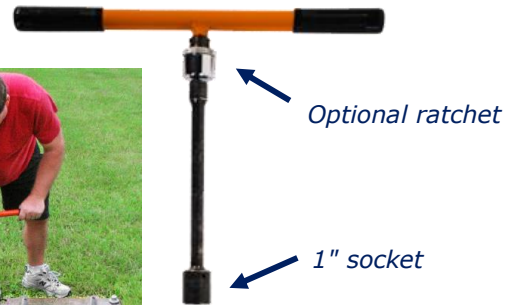
**Through metal plate**



**Installation methods**



**Impact wrench**



**T-handle**

**Attachment accessories**

Contact us for custom bracket/sleeve sizes and designs

