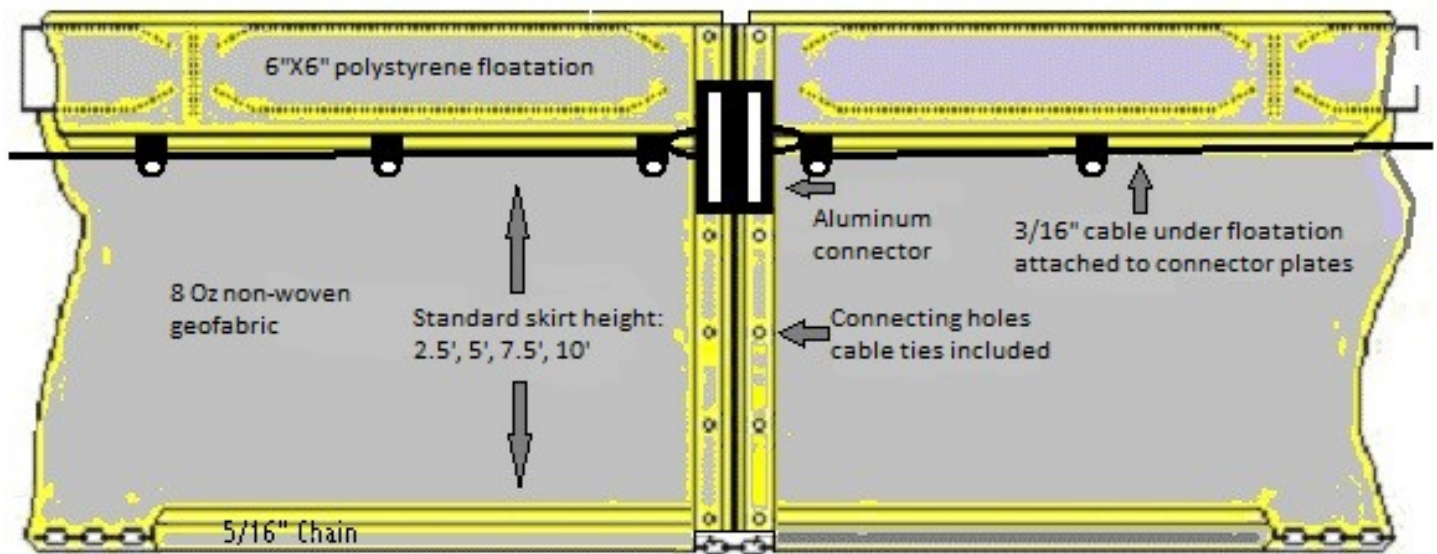


Cascade

Geotechnical Inc.

Type 1 Econo Turbidity Curtain



Type 1 Economy Turbidity Curtains are manufactured to meet the demand for a low cost, high quality turbidity curtain. Manufactured using 8oz non-woven geofabric, curtains available in 2.5', 5', 7.5', and 10' depth providing short lead times as they are ready to ship within days.

| | |
|----------------|---|
| Fabric: | 8 Oz non-woven polypropylene/polyester fabric |
| End Treatment: | 12" ASTM Universal Connectors on each end PP rope sewn in vertical ends connectors |
| Connections: | Universal connectors interlock and fixed with toggle pin (supplied) Chain connected with carabineers (supplied) Holes punched and black cable ties inserted manually at rope vertical ends (supplied) |
| Section Size: | 50 feet length X 2.5-10 feet depth (custom sizes available) |
| Floataction: | 6" X 6" x 88" Polystyrene |
| Weight Chain: | 5/16" Zinc Coated anchor chain |
| Top Cable: | 1/4" Galvanized Wire Rope |
| Optional: | 5"x10' Oil Boom that connects to the top cable via carabineers (provided) |

Phone: 780-454-2400 Fax: 780-451-0911 Toll Free: 1-800-565-6130

E-mail: mailbox@cascade.ca

15620-121a Ave. NW, Edmonton, Alberta * Canada * T5V-1B5